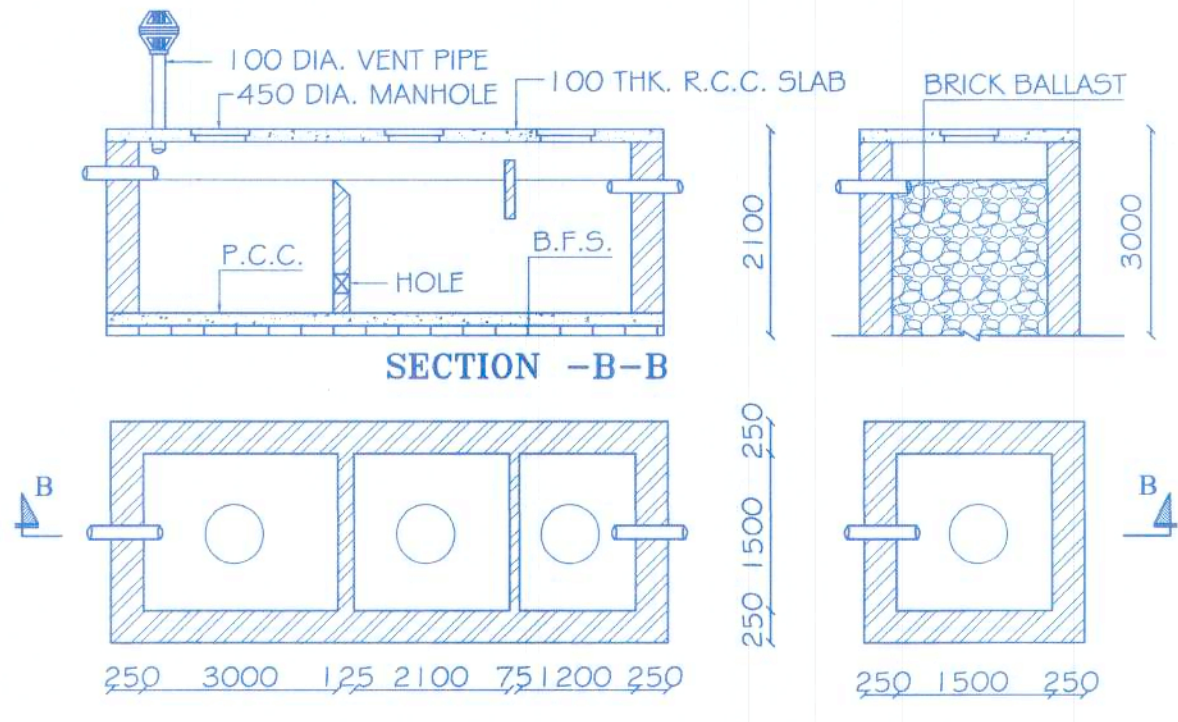
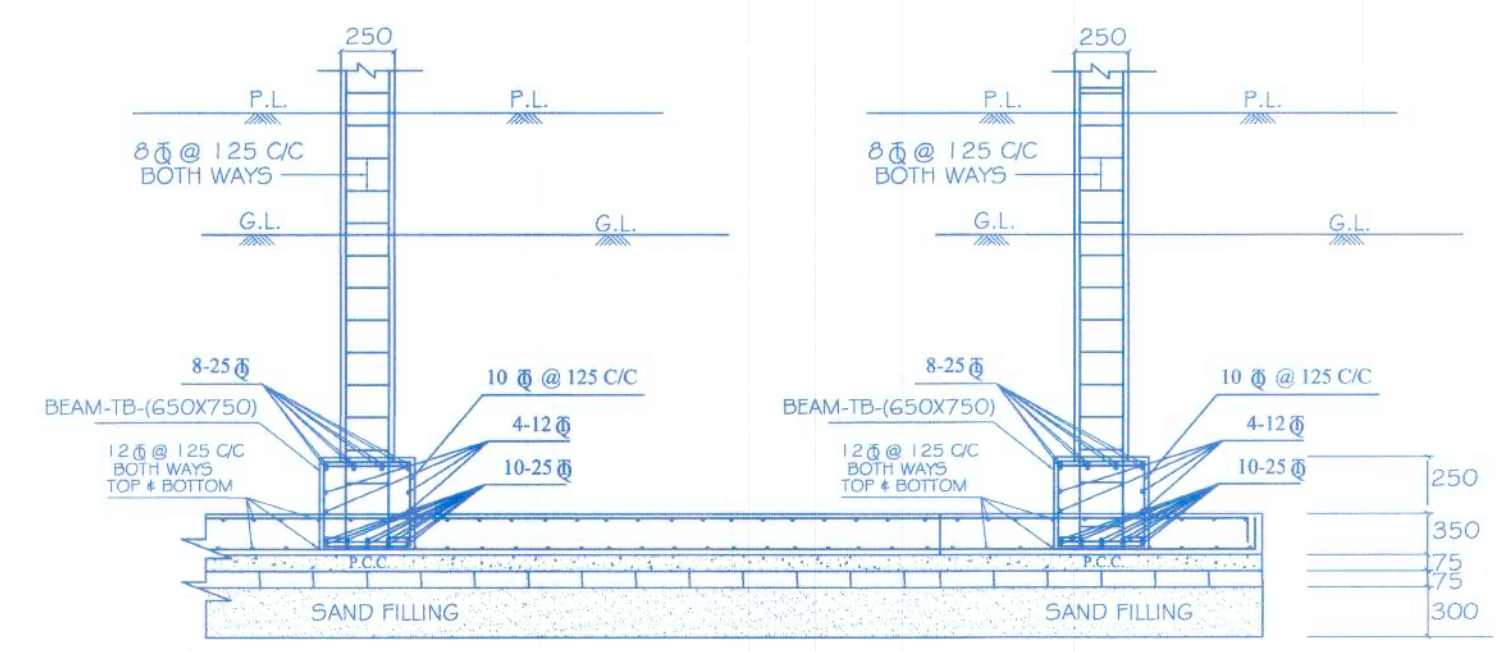


PROPOSED B+G+4 STORIED BUILDING PLAN IN FAVOUR OF SRI PIJUSH KANTI DAS ADHIKARY & SMT. REKHA DAS ADHIKARY, ON PLOT NO.- L.R. 318, 320 & 321, KHATIAN NO. - L.R. 271, R.S. 126 & 330, J.L. NO.- 277 AT MOUZA- SANKARARA, WARD NO.- 15, UNDER TAMRALIPTA MUNICIPALITY, P.S.- TAMLUK. DIST.- PURBA MEDINIPUR.



DETAILS OF SEPTIC TANK & SOAKPIT



SECTION -C-C

SCHEDULE OF PLINTH AND FLOOR BEAM

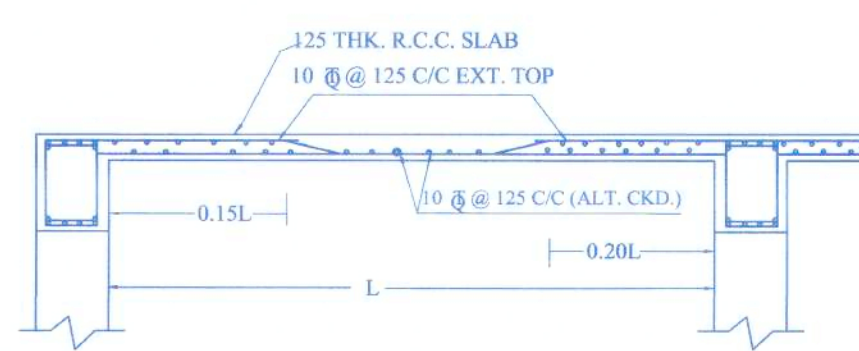
BEAM	M.K.D.	WIDTH	DEPTH	REINFORCE STEEL		STIRRUPS
				BOTTOM	TOP	
FB	250	450	5-20	3-20 + 2-20 (EXT. TOP)	8 @ 125 C/C	
FB1	250	450	3-20 + 2-16	3-20 + 2-16 (EXT. TOP)	8 @ 125 C/C	
FB2	250	400	4-20	2-20 + 2-16 (EXT. TOP)	8 @ 125 C/C	
FB3	250	350	4-16	2-16 + 2-16 (EXT. TOP)	8 @ 125 C/C	
FB4	250	300	3-12	2-12 + 2-12 (EXT. TOP)	8 @ 125 C/C	
FB5	150	300	2-12	2-12	8 T @ 125 C/C	

SCHEDULE OF FOUNDATION

TYPE	FOOTING SIZE	BOTTOM REINFORCEMENT
F1	RAFT FOUNDATION	12 @ 125 C/C BOTH WAYS TOP & BOTTOM

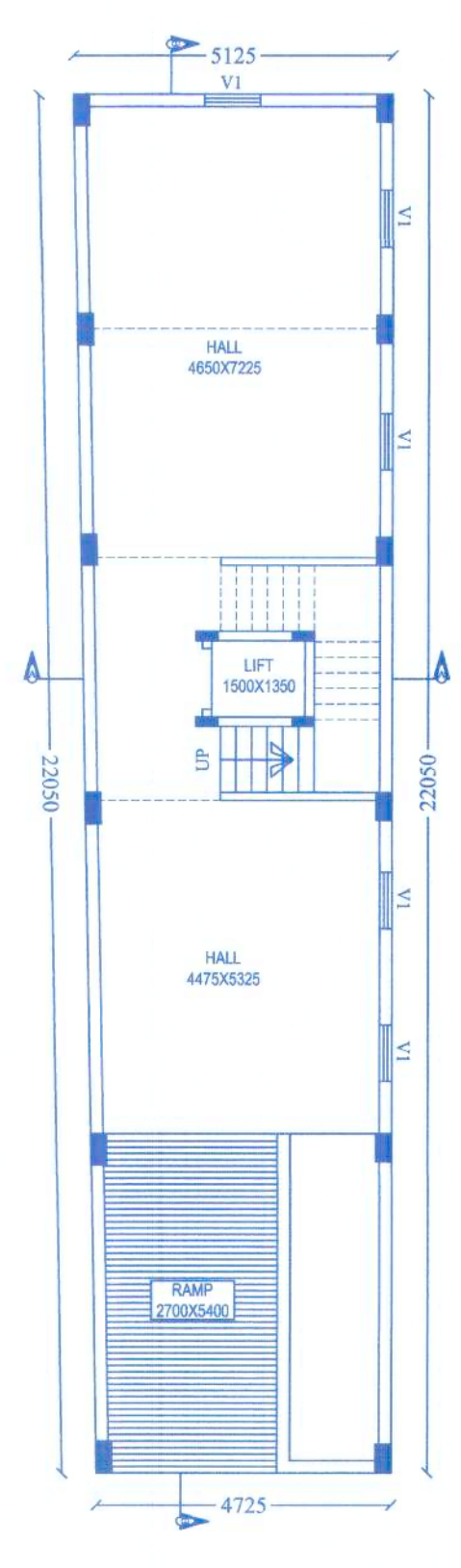
SCHEDULE OF COLUMN

TYPE	SIZE	REINFORCEMENT STEEL	
		VERTICAL	RINGS
C1	250X450	10-20	8 @ 6" @ 125 C/C
C2	250X450	8-20 + 2-16	8 @ 6" @ 125 C/C
C3	150X300	6-16	8 @ 125 C/C

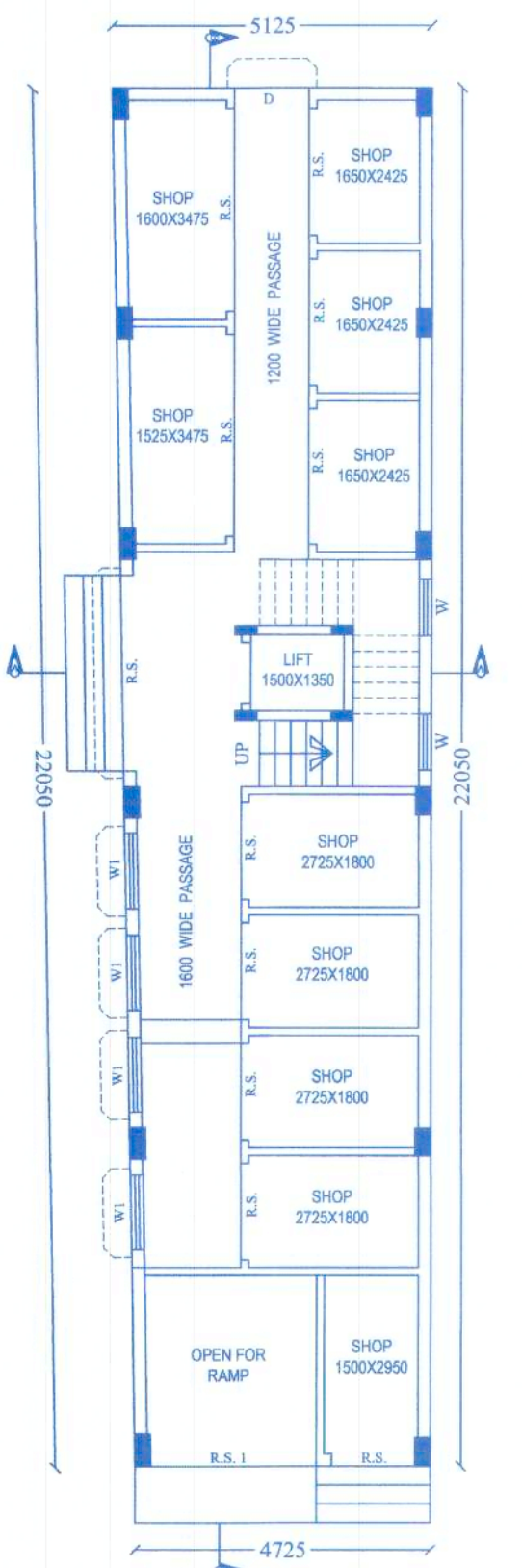


DET. OF R.C.C. SLAB

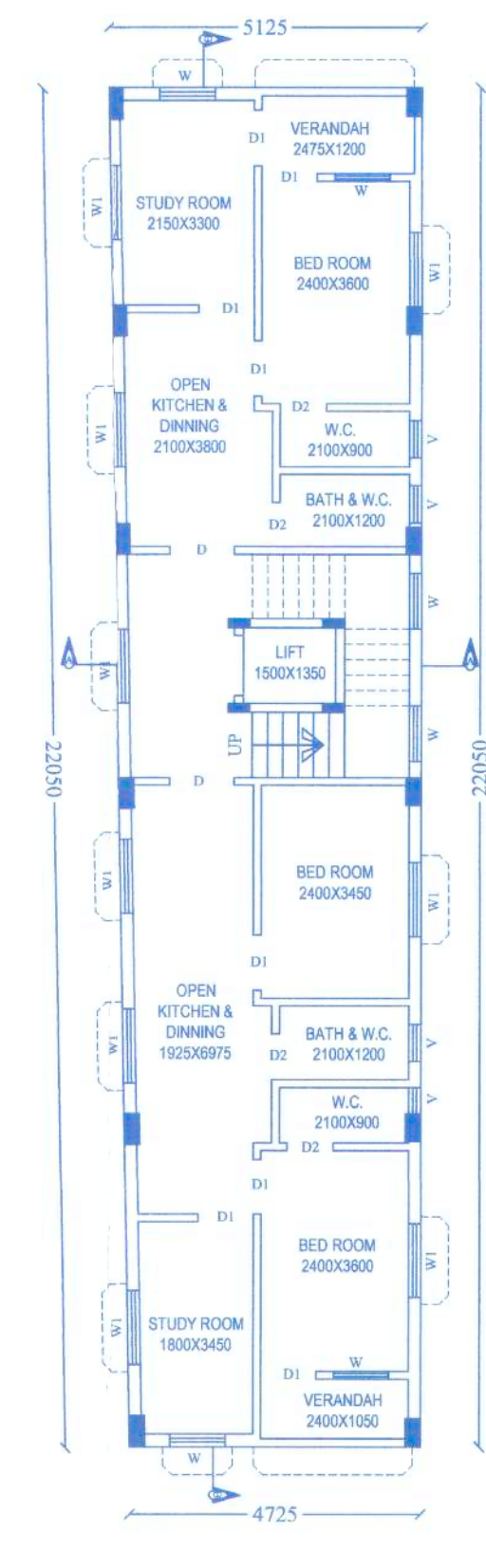
COLUMN FOUNDATION



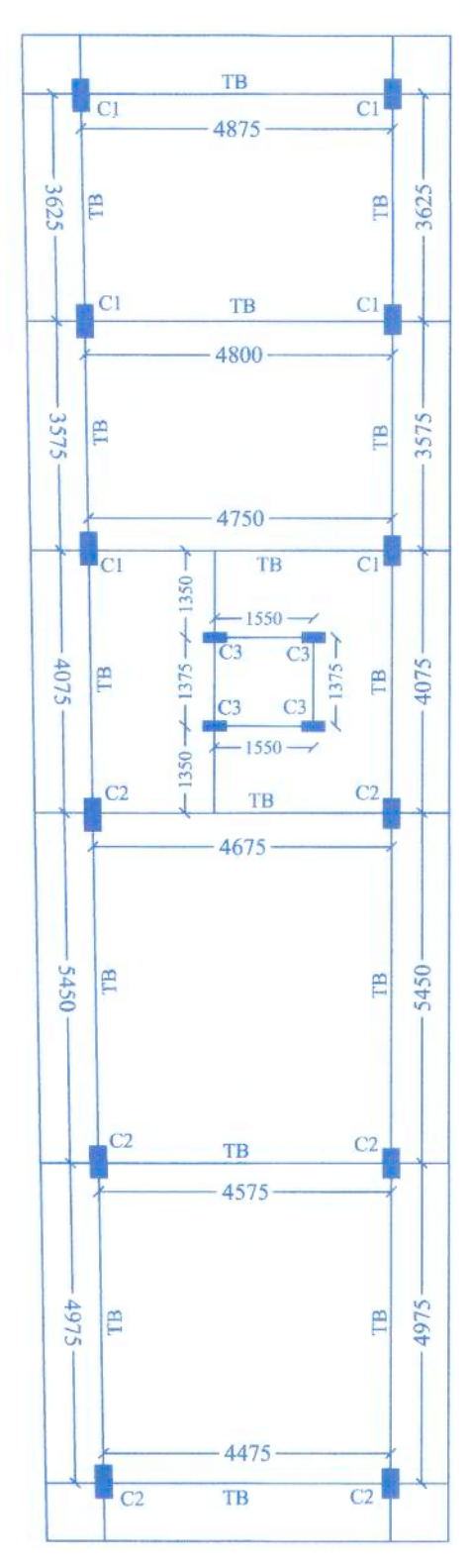
BASEMENT PLAN (SCALE - 1:100)



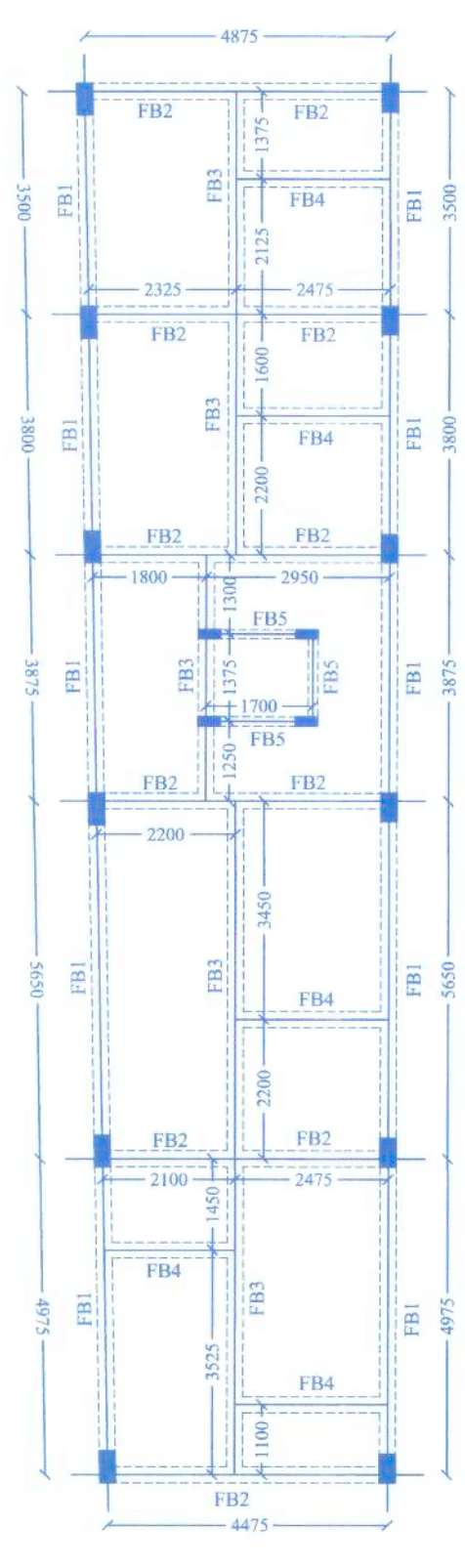
GROUND FLOOR PLAN (SCALE - 1:100)



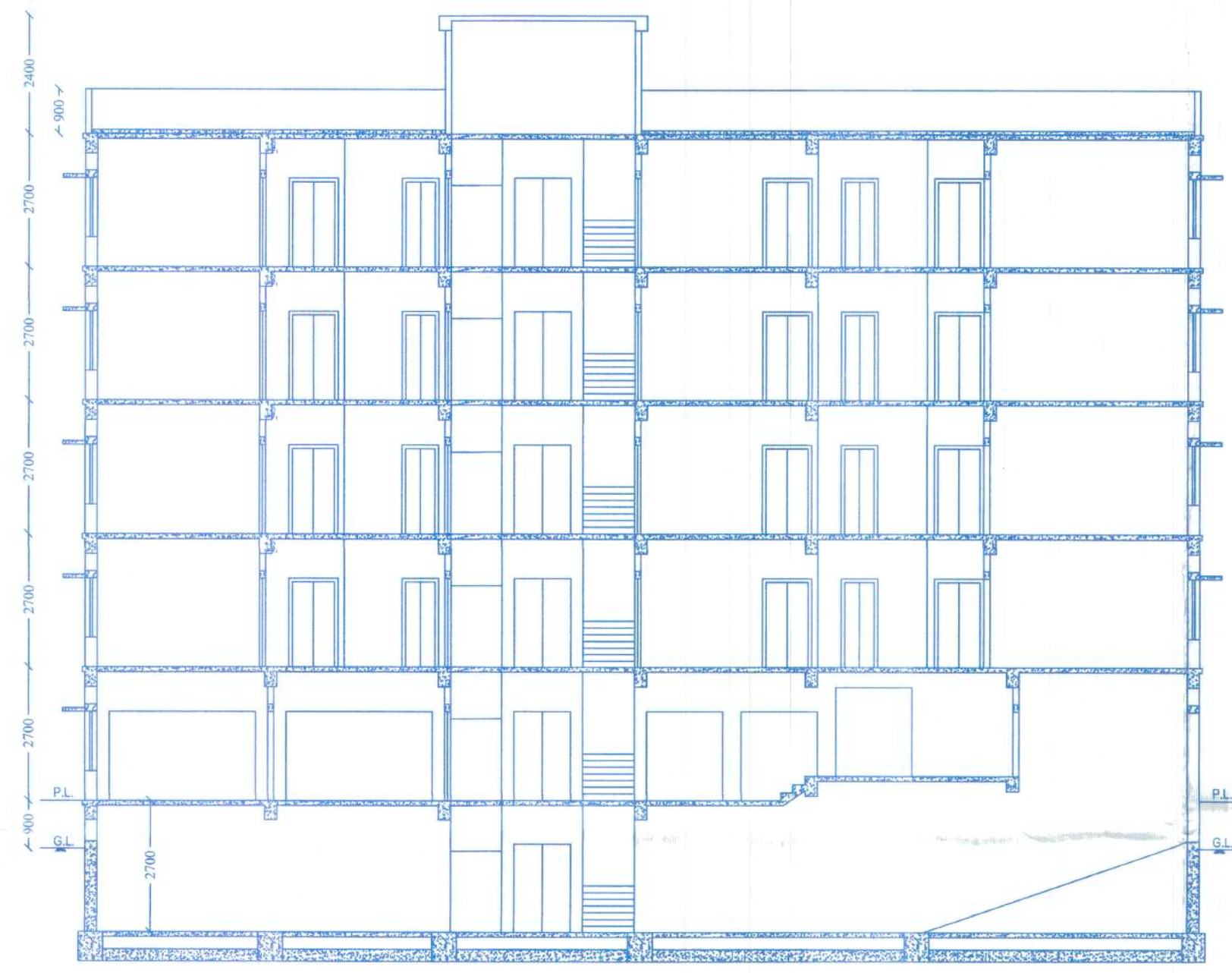
TYPICAL FIRST, SECOND, THIRD & FOURTH FLOOR PLAN (SCALE - 1:100)



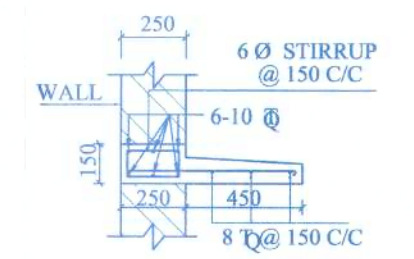
LAYOUT PLAN FOR RAFT FOUNDATION (SCALE - 1:100)



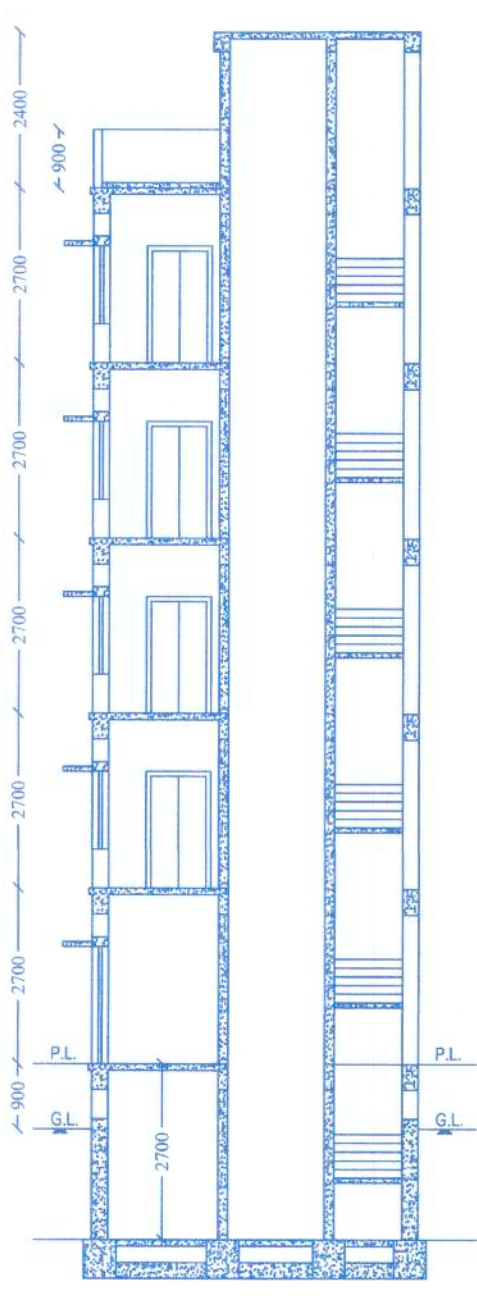
LAYOUT PLAN FOR ROOF BEAM (SCALE - 1:100)



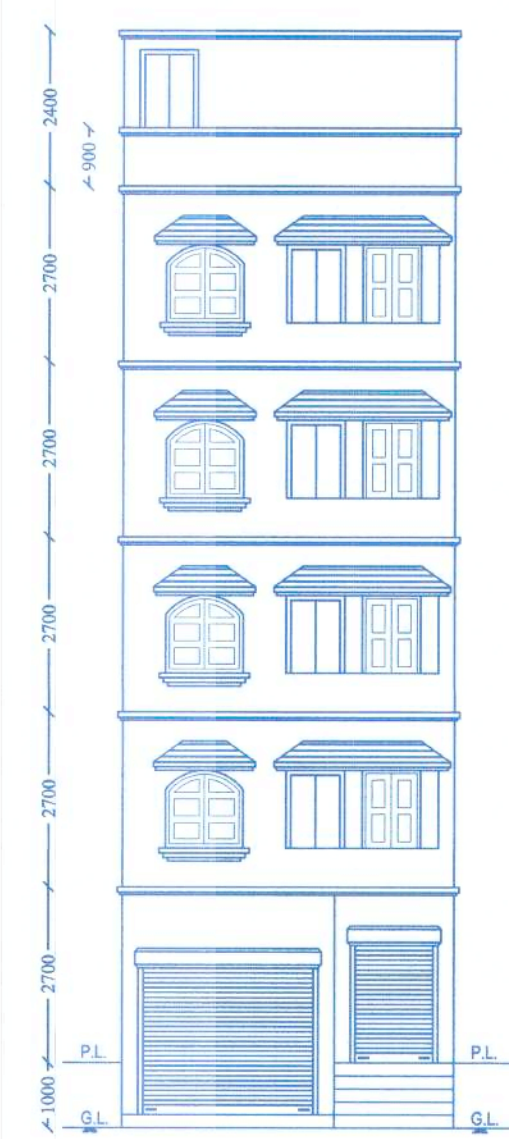
SECTION B-B (SCALE - 1:100)



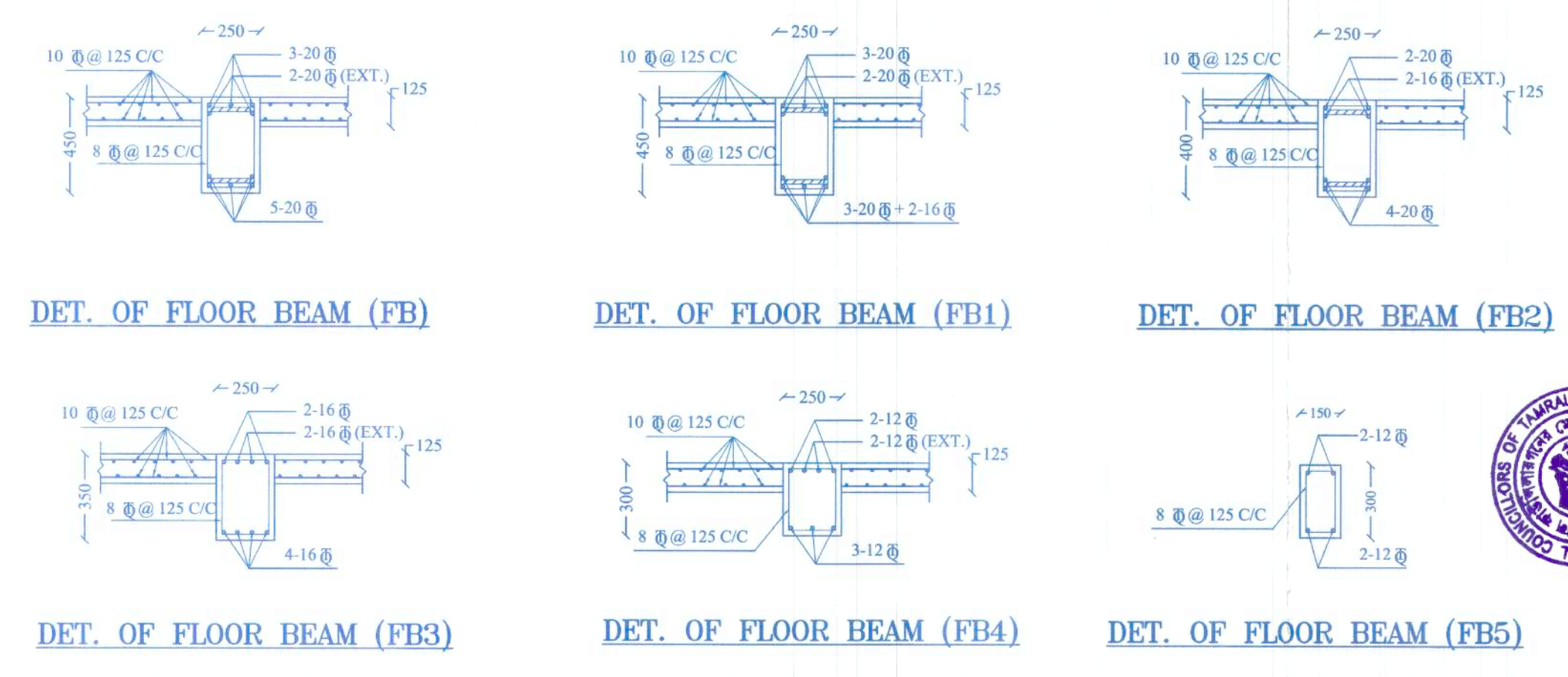
DETAILS OF R.C.C. LINTEL & CHAJJA



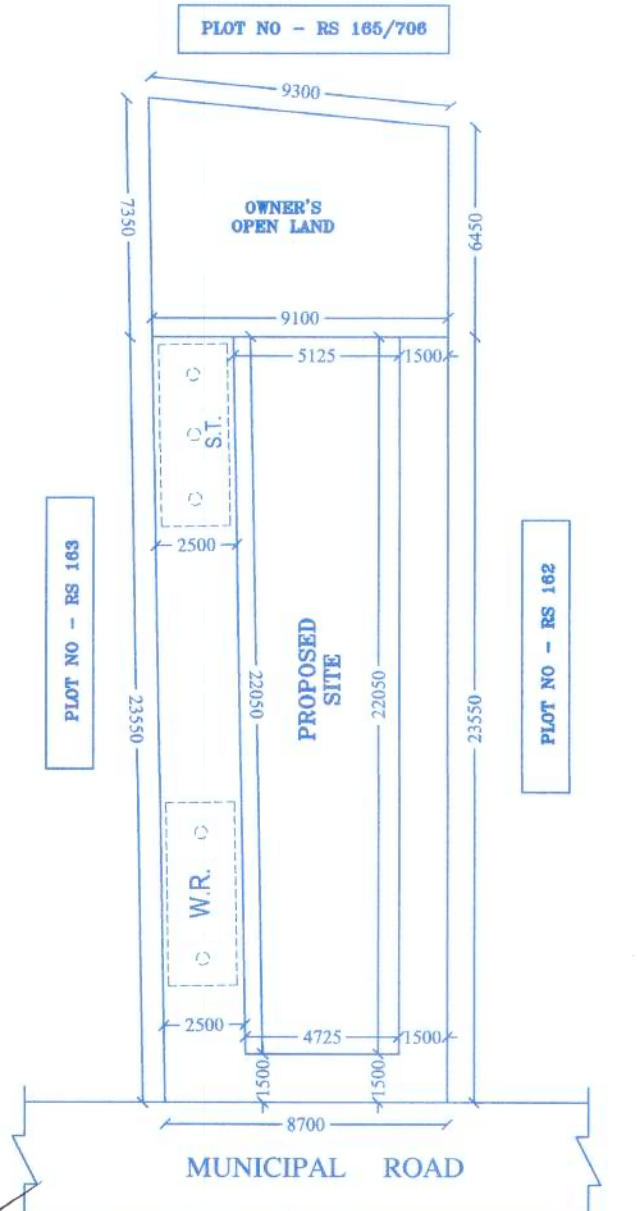
SECTION A-A (SCALE - 1:100)



FRONT ELEVATION (SCALE - 1:100)



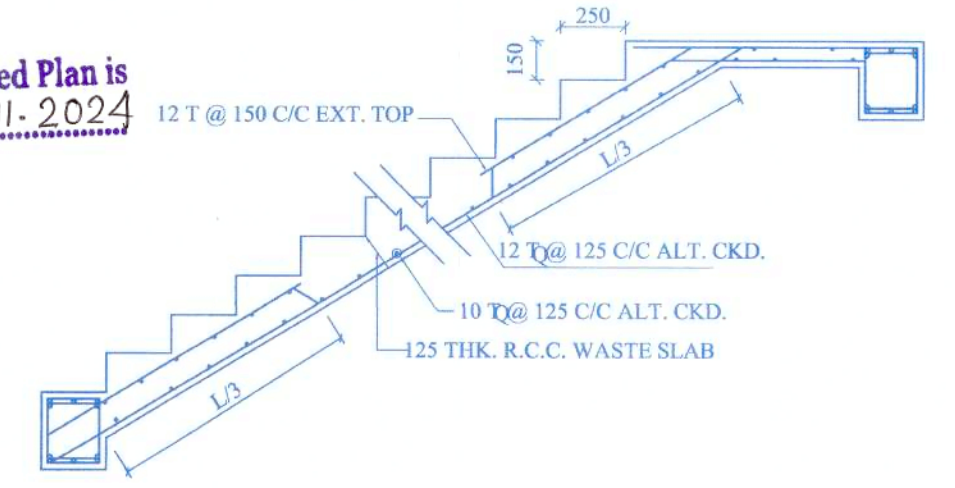
DET. OF FLOOR BEAM (FB), (FB1), (FB2), (FB3), (FB4), (FB5)



SITE PLAN (SCALE - 1:200)

SANCTIONED PROVISIONALLY
Chairperson
Board of Administrators
Tamralipta Municipality

The Sanctioned Plan is
Valid upto 11.11.2024



DETAILS OF R.C.C. STAIR SLAB

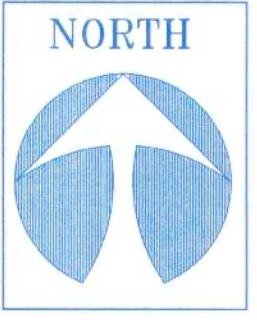
NOTES :-

- ALL DIMENSION ARE INCHES IN UNLESS OTHERWISE STATED.
- DO NOT SCALE THE DRAWING WRITTEN DIMENSION SHOULD BE FOLLOWED.
- BRICK WORK IN CEMENT AND SAND MORTAR.
- PLASTER ARE IN CEMENT AND SAND MORTAR 20MM,(1:1:6).
- GRADE OF CONCRETE M-20 - 10TH(1:1:4)
- GRADE OF STEEL F-415
- ASSUME BEARING PRESSURE OF SOIL 80- KN/M2
- COVER TO REINFORCEMENT COLUMN-2", BEAM-1", SLAB-1/2".
- STAIR CASE TRADE-1", RISER-6".

"I UNDERSIGNED HAS INSPECTED THE SITE PERSONALLY AND VERIFIED THE SITE WITH THE HELP MOUZA-MAP, WHICH I FOUND IN ITS CORRECT POSITION. THE OTHER CO-OWNERS HAVE GIVEN NO OBJECTION IN RESPECT OF THE SAID SITE. THE STRUCTURE DESIGN INCLUDING THAT OF FOUNDATION HAS BEEN MADE ON THE BASIS OF RECOMMENDATIONS A FINDING OF THE GEOTECHNICAL ENGINEER".

DOORS & WINDOWS SCHEDULE

M.K.D	WIDTH	HEIGHT
D	1050	1950
D1	900	1950
D2	750	1950
W	900	1350
W1	1200	1350
V	600	450
V1	900	450
R.S.	1800	1950
R.S.1	2700	2400



COVER AREA :-

- AREA OF LAND :- 5.54 DECIMAL
- BASEMENT FLOOR COVER AREA :- 108.60 SQ.M.
- GROUND FLOOR COVER AREA :- 108.60 SQ.M.
- FIRST FLOOR COVER AREA :- 108.60 SQ.M.
- SECOND FLOOR COVER AREA :- 108.60 SQ.M.
- THIRD FLOOR COVER AREA :- 108.60 SQ.M.
- FOURTH FLOOR COVER AREA :- 108.60 SQ.M.

Pijush Kantidas Adhikary
Rekha Das Adhikary

OWNER'S SIGNATURE

Checked & Verified this plan. This plan may be approved.

15/11/2024
K. PARJA
Sub-Assistant Engineer
Tamralipta Municipality

Biman Kumar Bera
Biman Kumar Bera
(D.C.E.)
Municipality Approved
Planner, Estimator, Designer
Alababari (Collegepara)
Tamluk, Purba Medinipur

SIGNATURE OF AUTHORITY

SIGNATURE OF ENGINEER

SCALE :- 1:200, 1:100, 1:50, 1:25,

DRAWN BY :- PARTHA JANA

CHECKED BY :- BIMAN BERA